

AIRGOCLEAN® ONE

EN

OPERATING MANUAL
AIR CLEANER



Table of contents

Notes regarding the operating manual..... 2

Safety 2

Information about the device..... 4

Transport and storage..... 6

Assembly and start-up..... 6

Operation 7

Available accessories..... 14

Errors and faults..... 14


Maintenance 16


Disposal 20


Technical annex..... 20

Notes regarding the operating manual


Symbols


 **Warning of electrical voltage**
This symbol indicates dangers to the life and health of persons due to electrical voltage.

 **Warning**
This signal word indicates a hazard with an average risk level which, if not avoided, can result in serious injury or death.

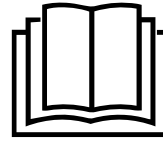
 **Caution**
This signal word indicates a hazard with a low risk level which, if not avoided, can result in minor or moderate injury.

Note
This signal word indicates important information (e.g. material damage), but does not indicate hazards.

 **Info**
Information marked with this symbol helps you to carry out your tasks quickly and safely.

 **Follow the manual**
Information marked with this symbol indicates that the operating manual must be observed.

You can download the current version of the operating manual and the EU declaration of conformity via the following link:




AirgoClean® One



<https://hub.trotec.com/?id=44900>

Safety

Read this manual carefully before starting or using the device. Always store the manual in the immediate vicinity of the device or its site of use.

-  **Warning**
Read all safety warnings and all instructions. Failure to follow the warnings and instructions may result in electric shock, fire and/or serious injury.
Save all warnings and instructions for future reference.
This appliance can be used by children aged from 8 years and above and persons with reduced physical, sensory or mental capabilities or lack of experience and knowledge if they have been given supervision or instruction concerning use of the appliance in a safe way and understand the hazards involved.
Children shall not play with the appliance. Cleaning and user maintenance shall not be made by children without supervision.
- Do not use the device in potentially explosive rooms or areas and do not install it there.
 - Do not use the device in aggressive atmosphere.
 - Only put up the device in an upright, stable position on firm ground.
 - Let the device dry out after a wet clean. Do not operate it when wet.
 - Do not use the device with wet or damp hands.
 - Do not expose the device to directly squirting water.
 - Do not expose the device to liquids as it is not protected against splash water.
 - Never insert any objects or limbs into the device.
 - Do not cover or transport the device during operation.
 - Do not sit on the device.
 - This appliance is not a toy. Keep away from children and animals. Do not leave the device unattended during operation.

- Check accessories and connection parts for possible damage prior to every use of the device. Do not use any defective devices or device parts.
- Ensure that all electric cables outside of the device are protected from damage (e.g. caused by animals). Never use the device if electric cables or the power connection are damaged!
- The mains connection must correspond to the specifications in the Technical annex.
- Insert the mains plug into a properly fused mains socket.
- Observe the technical data when selecting extensions to the power cable. Completely unroll the extension cable. Avoid electrical overload.
- Before carrying out maintenance, care or repair work on the device, remove the mains plug from the mains socket. Hold onto the mains plug while doing so.
- Switch the device off and disconnect the power cable from the mains socket when the device is not in use.
- Do not under any circumstances use the device if you detect damages on the mains plug or power cable. If the power cable is damaged, it must be replaced by the manufacturer, its service agent or similarly qualified persons in order to avoid a hazard.
Defective power cables pose a serious health risk!
- When positioning the device, observe the minimum distances from walls and other objects as well as the storage and operating conditions specified in the Technical annex.
- Make sure that at least two sides of the air inlet and air outlet are clear.
- Make sure that there are no loose items or dirt located in the immediate surroundings of air inlet and air outlet.
- Do not remove any safety signs, stickers or labels from the device. Keep all safety signs, stickers and labels in legible condition.
- Make sure that the suction side is kept free of dirt and loose objects.
- Dispose of replaced filters properly, especially after filtering substances hazardous to health.
- Never use the device as storage place or footstep.
- Do not insert rechargeable batteries into the remote control.
- Never select automatic mode if the device is used for virus filtration.
- The indicated measured values are considered indicators and not guaranteed measured values.
- Only use filters and accessory recommended by Trotec for the AirgoClean One.

Intended use

Use the device for cleaning the air in interior spaces only whilst adhering to the technical data and safety instructions.

The device filters dust, animal hair, viruses and microfibrils of paper and textiles in offices, in waiting or staff rooms and in living spaces.

Foreseeable misuse

- Do not place the device on wet or flooded ground.
- Do not place any objects, e.g. clothing, on the device.
- Do not use the device out of doors.
- Do not use the device in bathrooms and rooms with a high humidity level.
- Do not use the device in rooms where large amounts of dust are produced, e.g. in production halls, workshops or on construction sites.
- Moreover, the integrated filter system is not suited for removing dusts that are potentially harmful to health (e.g. pollutants) from the air.
- Any use other than the intended use is regarded as a reasonably foreseeable misuse.
- Any unauthorised modifications, alterations or structural changes to the device are forbidden.

Personnel qualifications

People who use this device must:

- be aware of the dangers that occur when working with electrically driven air cleaners.
- have read and understood the operating manual, especially the Safety chapter.

Residual risks



Warning of electrical voltage

Work on the electrical components must only be carried out by an authorised specialist company!



Warning of electrical voltage

Before any work on the device, remove the mains plug from the mains socket!
Do not touch the mains plug with wet or damp hands.
Hold onto the mains plug while pulling the power cable out of the mains socket.



Warning

Dangers can occur at the device when it is used by untrained people in an unprofessional or improper way!
Observe the personnel qualifications!



Warning

The device is not a toy and does not belong in the hands of children.



Warning

Risk of suffocation!
Do not leave the packaging lying around. Children may use it as a dangerous toy.

Note

Do not operate the device without an air filter inserted into the air inlet!
Without the air filter, the inside of the device will be heavily contaminated. This could reduce the performance and result in damage to the device.

Note

Do not use abrasive cleaners or solvents to clean the device.

Behaviour in the event of an emergency

1. Switch the device off.
2. In an emergency, disconnect the device from the mains feed-in: Hold onto the mains plug while pulling the power cable out of the mains socket.
3. Do not reconnect a defective device to the mains.

Information about the device

Device description

The device serves to filter the room air with the aim of reducing slight and medium contaminations and odours in order to improve the air quality. It is equipped with a powerful fan sucking in the air in the lower area from all sides. The air flows through the filter and is cleaned. Afterwards the fan releases the clean air back into the room.

The device is equipped with a prefilter with filter fleece, a HEPA filter and a silencer.

The device uses a HEPA filter to remove bacteria, viruses, pollen, dust mite residue, mould fungus spores and other allergens from the air. The prefilter (made of synthetic fibre) filters out large dust particles before the air flows into the HEPA filter. The silencer provides for a pleasant background noise.

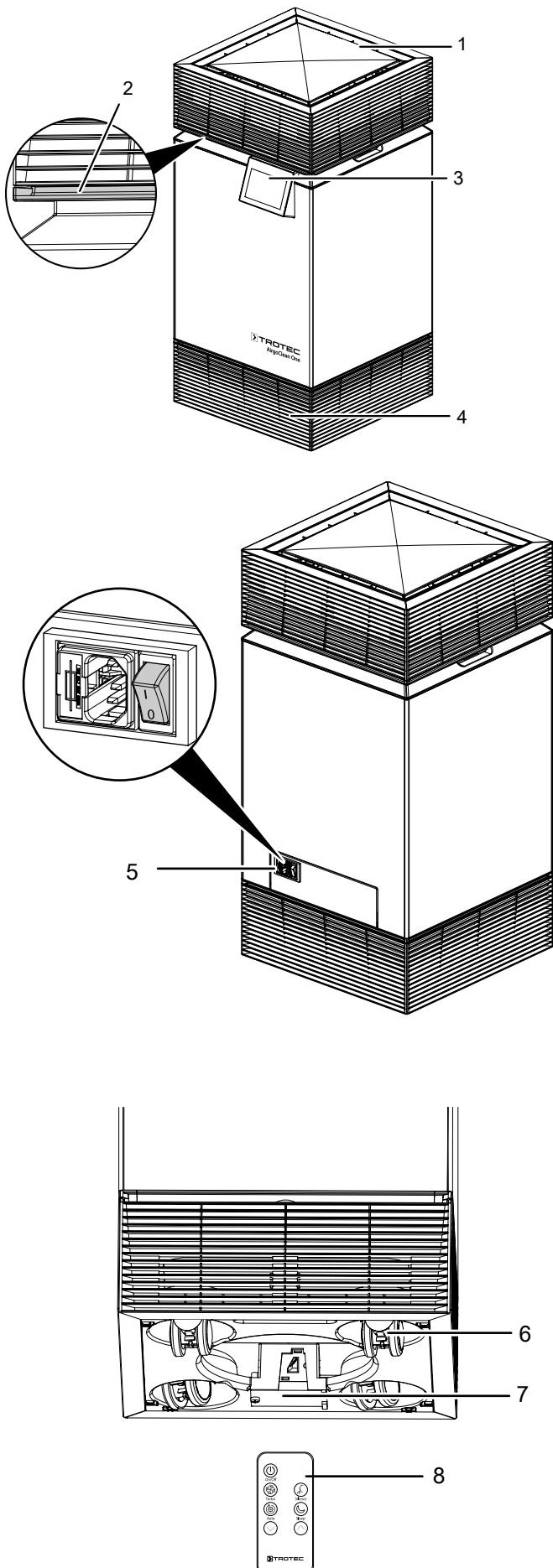
The optional activated carbon filter removes odours from the air.

The six-stage fan (incl. turbo mode) and the uncomplicated, quick filter change ensure easy operation.

Thanks to its compact dimensions the device can be transported conveniently, and owing to its low-noise operation it can be used indoors.

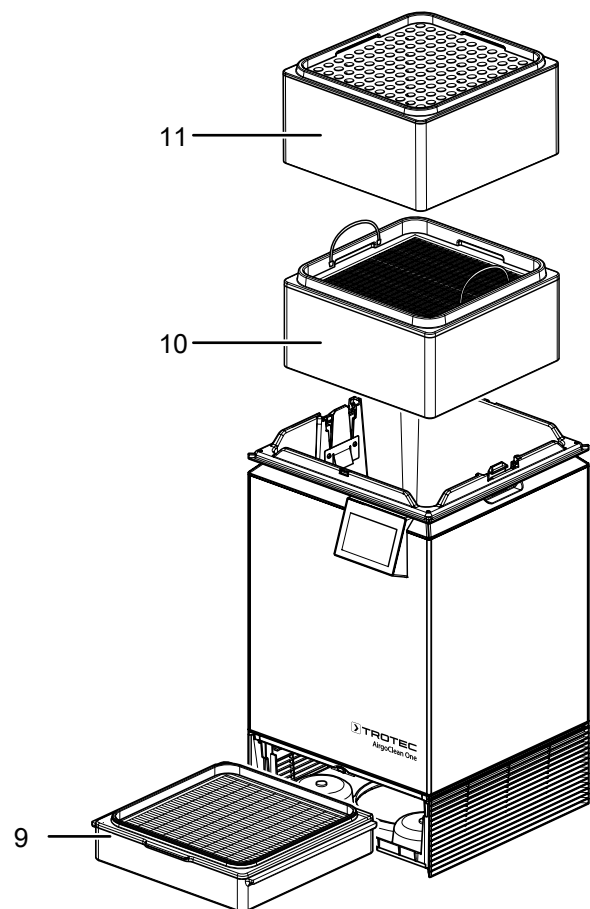
The device comes with a control panel and a remote control.

Device depiction



No.	Designation
1	Top section with air outlet
2	Handle strip
3	Control panel
4	Air inlet with cover
5	Mains plug with mains switch
6	Wheels
7	Box with air quality sensors
8	Remote control

Standard configuration



No.	Designation
9	F7 prefilter with filter fleece
10	HEPA filter H14 complying with EN 1822
11	Silencer

If an activated carbon filter (optional) is inserted, please note the configuration that applies:

No.	Designation
9	F7 prefilter with filter fleece
10	Activated carbon filter (optional)
11	HEPA filter H14 complying with EN 1822

Transport and storage

Note

If you store or transport the device improperly, the device may be damaged.

Note the information regarding transport and storage of the device.

Transport

To make the device easier to transport, it is fitted with a handle strip.

To make the device easier to transport, it is fitted with wheels.

Before transporting the device, observe the following:

- Switch the device off.
- Hold onto the mains plug while pulling the power cable out of the mains socket.
- Do not use the power cable to drag the device.
- Only wheel the device on a level and smooth surface.

After transporting the device, proceed as follows:

- Set up the device in an upright position after transport.

Storage

When the device is not being used, observe the following storage conditions:

- dry and protected from frost and heat
- in an upright position where it is protected from dust and direct sunlight
- with a cover to protect it from invasive dust, if necessary
- Remove batteries from the remote control.

Assembly and start-up

Scope of delivery

- 1 x Device
- 1 x HEPA filter
- 1 x Prefilter with filter fleece
- 1 x Silencer
- 1 x Remote control with batteries
- 1 x Power cable
- 1 x Manual

Unpacking the device

1. Open the cardboard box and take the device out.
2. Completely remove the packaging.
3. Fully unwind the power cable. Make sure that the power cable is not damaged and that you do not damage it during unwinding.

Start-up

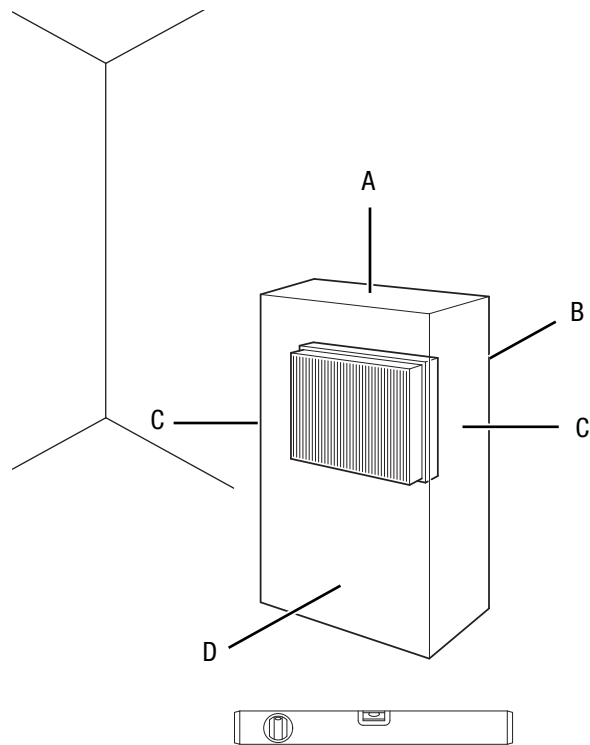
Prefilter, HEPA filter and silencer are already built into the device.

Note

Remove any packaging material from the prefilter, HEPA filter and silencer. To do so, please proceed as described in the *Maintenance* chapter under Replacing the HEPA filter and prefilter.

Remove the films from the housing and the display.

When positioning the device, observe the minimum distance from walls or other objects as described in the chapter Technical annex.



- Before restarting the device, check the condition of the power cable. If there are doubts as to the sound condition, contact the customer service.
- Only put up the device in an upright, stable position on firm ground.
- Do not create tripping hazards when laying the power cable or other electric cables, especially when positioning the device in the middle of the room. Use cable bridges.
- Make sure that extension cables are completely unrolled.
- Position the device near the source of air contamination.
- When positioning the device, keep a sufficient distance to heat sources.
- Make sure that no curtains or other objects interfere with the air flow.
- Make sure that at least two sides of the air inlet and air outlet are clear.

Connecting the power cable

- Plug the power cable into the device.
- Insert the mains plug into a properly fused mains socket.

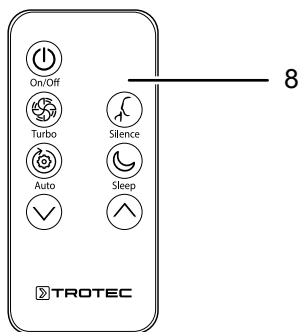
Operation

Note

Avoid open doors and windows.

All settings of the device can also be made using the control panel or the remote control included in the scope of delivery.

Remote control



Icon	Designation	Meaning
	On/off symbol	Switching the device on and off
	Turbo symbol	Switch on turbo mode (fan stage VI)
	Auto symbol	Switch on automatic mode
	Decrease symbol	Decrease fan stage
	Increase symbol	Increase fan stage
	Night mode symbol	Switch night mode on and off
	Silence symbol	Mute the device

Note

If the device is in lock mode, it cannot be controlled via the remote control.

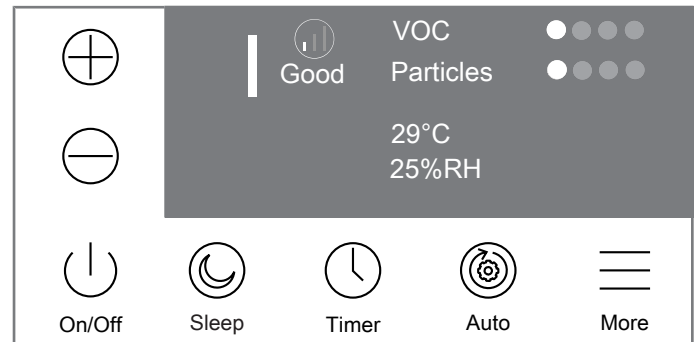
Insert the battery (CR2025) into the remote control.

Switching the device on

Once you have completely installed the device as described in the Start-up chapter, you can switch it on.

Please proceed as follows to switch the device on:

1. Set the mains switch (5) to position I.
 - ⇒ The control panel lights up.
 - ⇒ The main menu appears.
 - ⇒ The device can now be used.



Basic settings



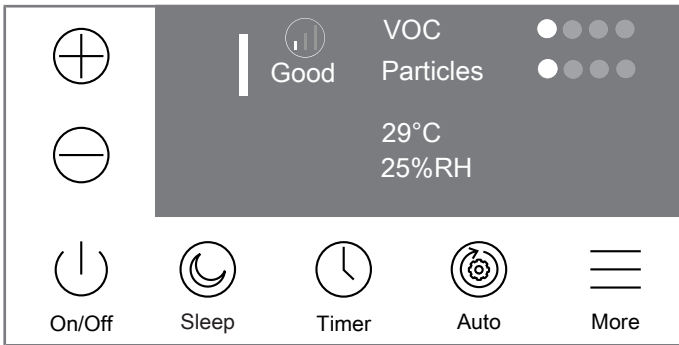
Info

All inputs must be confirmed by actuating the symbol (*Back*).

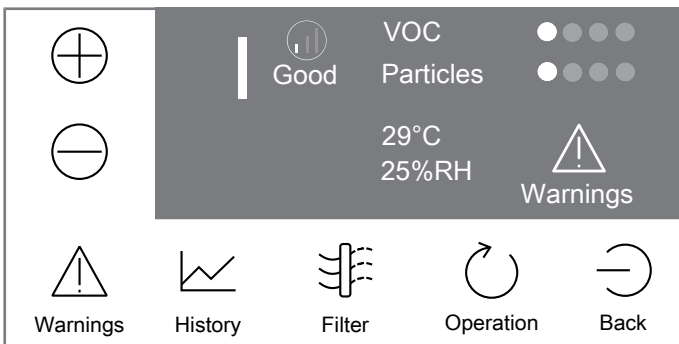
If the display is not actuated for a certain time, it automatically switches to the main screen. Settings that have been made but not confirmed with (*Back*) are **not** saved.

Please proceed as follows to set the language, day and time:

1. Select the ≡ symbol (*More*) in the main view.

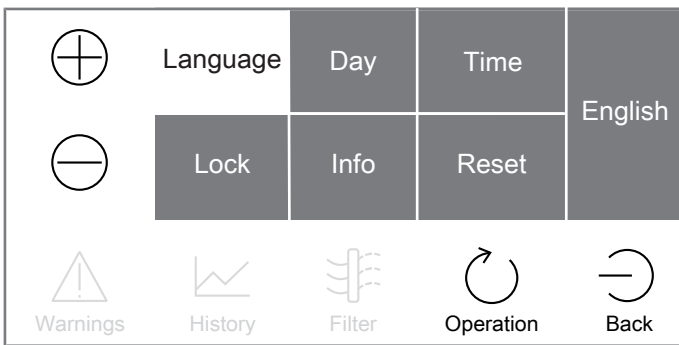


⇒ The display changes to the following submenu.



2. Select the ⌚ symbol (*Operation*).

⇒ The display changes to the following submenu.



3. Select the ⊕ symbol (*Increase value*) or the ⊖ symbol (*Decrease value*) to select from the languages English, French or German.

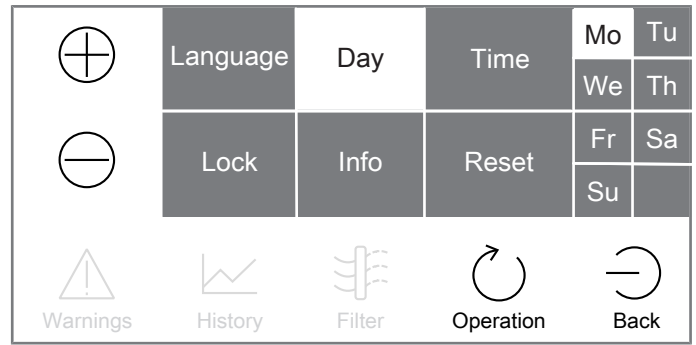
⇒ You can also select the language by pressing *German*, *English* or *French* on the display.

⇒ The display texts will be indicated in the selected language.

4. Select the ⊖ symbol (*Back*) to confirm your entry.

5. Select the ⌚ symbol (*Operation*) again and select *Day*.

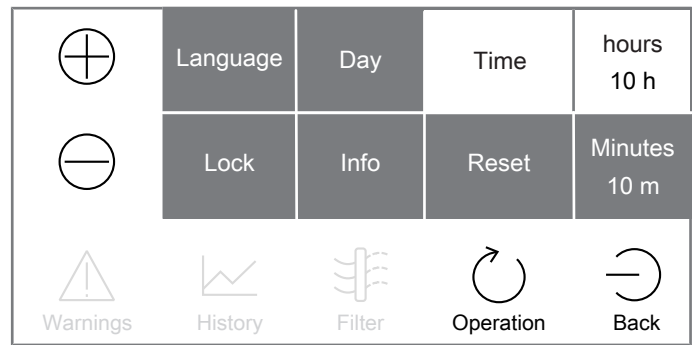
6. Select the current day on the right side of the display.



7. Select the ⊖ symbol (*Back*) to confirm your entry.

8. Select the ⌚ symbol (*Operation*) again and select *Time*.

9. Select the ⊕ symbol (*Increase value*) or the ⊖ symbol (*Decrease value*) to set the number of hours.



10. Select *Minutes* and also set the number of minutes using the ⊕ symbol (*Increase value*) or the ⊖ symbol (*Decrease value*).

11. Select the ⊖ symbol (*Back*) to confirm your entry.

⇒ The basic settings have now been made.



Info

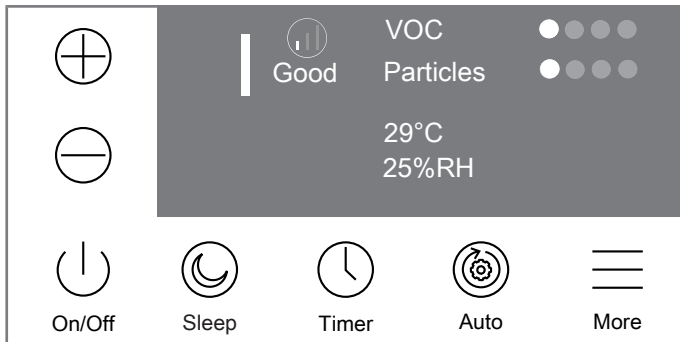
If you select *Info* in the submenu, the contact details of Trotec will be displayed.

Filter menu

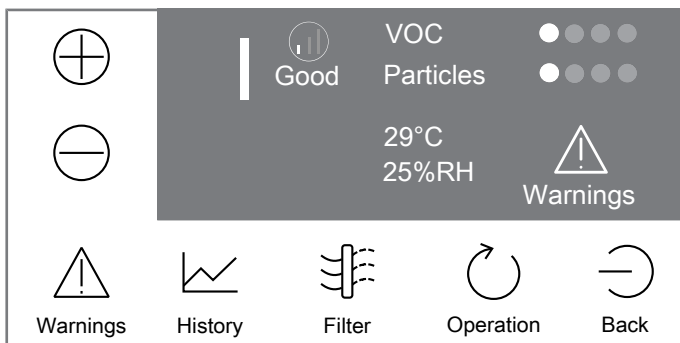
Before you start the device for the first time or after a filter change, you must reset the individual filters. When changing the standard configuration, it is also required to adjust the filter types.

To do so, please proceed as follows:

1. Select the symbol (*More*) in the main view.

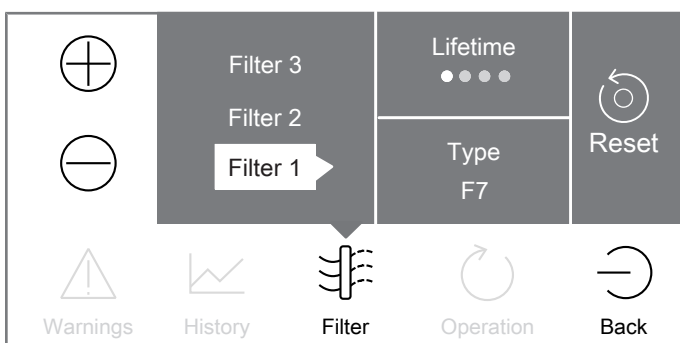


⇒ The display changes to the following submenu.



2. Select the symbol (*Filter*).

⇒ The display changes to the following submenu.



3. Select Filter 1, Filter 2 or Filter 3 by tapping the symbol (*Increase value*) or the symbol (*Decrease value*).

- ⇒ The selected filter is highlighted in white colour.
- ⇒ The dots below the lifetime button provide information when the filter must be changed. If all four dots light up in white, the selected filter must be changed (see also Maintenance chapter, section "Replacing the HEPA filter or prefilter".)



Info

Check the selected *type* and adjust it if necessary by tapping the *Type* button. The factory settings are as follows:

Filter 1: F7 (prefilter)

Filter 2: HEPA

Filter 3: None (silencer)

If required, the silencer (e.g.) can be replaced by an activated carbon filter (optional). In this case, select *active* under filter 2 and HEPA under filter 3.

4. Select the symbol (*Reset*) and confirm with *Yes*.

- ⇒ The filter is reset.

5. Select the symbol (*Back*) to confirm your entry.

- ⇒ Repeat steps 1 to 5 for each filter.



Info

The condition of the filters is monitored for all three filter compartments. The condition monitoring does not simply work hypothetically, based on time for instance, but it records the actual filter status based on the fan stage, the particle load in the room air, the humidity and the VOC content (with inserted activated carbon filter). The intelligent filter lifetime monitor informs you precisely when a filter change is necessary.

Setting the operating mode

The device has the following operating modes:

- Automatic mode
- Night mode
- Manual operation


Automatic mode

In automatic mode, the device regulates the fan speed fully automatically depending on the air quality to remove suspended particles from the room air within a very short time.

Note

Night mode and automatic mode can be switched on in parallel.

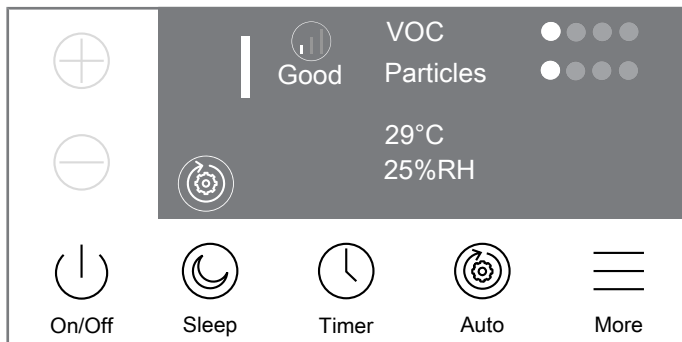
Please proceed as follows to set the automatic mode:

- ✓ The device is switched on.
- 1. Select the  symbol (*Auto*) in the main view.
 - ⇒ The automatic mode symbol is indicated on the display for a second time.
 - ⇒ The fan stage is adjusted automatically and is indicated in the top left of the display.
 - ⇒ The display indicates the air quality symbols:
 - =good air quality, ⊕=medium air quality, ⊖=poor air quality. Also displayed are the indication for gaseous pollutants (*VOC*), the indication for particle load (*Particles*), the current temperature and the relative humidity.



Info

Do not use the automatic mode if the device is used for virus filtration. The integrated sensors only respond to air pollution caused by fine particulates, pollen or VOC. The device cannot determine the virus load. It is possible that the automatic mode indicates a "good" air quality even though the virus load in the room is very high. For this reason we recommend using the fan stage requested by the respective specifications with regard to the circulation rate (air volume) when the device is used for virus filtration in order to reduce the risk of indirect infections.



Air quality: fine dust value

The *Particles* indication shows the concentration of fine particulates in the air.

Particulate matter is considered to be a serious contributor to respiratory problems, the increase in asthma attacks as well as lung cancer. For a long time, the outdoor pollution has been the focus of public attention – even if the fine particulate burden inside rooms is often higher than on the street. At home, cooking, frying and vacuum-cleaning as well as the use of laser printers and photocopiers, open fireplaces and pellet heating systems contribute to the air pollution. At the workplace, too, laser printers and photocopiers are used every day. It goes without saying that in the craft sector, hazards arising from particulate matter are almost omnipresent.

The higher the particle load, the more dots are displayed in white which appear next to the *Particles* display.

Load display (white dots)	Particles/air quality display
●	very good air quality
●●	good air quality
●●●	medium air quality
●●●●	poor air quality

Air quality: gaseous pollutants (VOC)




Info

In the standard configuration without activated carbon filter, the automatic mode only takes the particle load in the room air into account. If an activated carbon filter (optional) is inserted, the particle count and the VOC content in the air are taken into account in automatic mode.

Important: Correctly enter the filter types used in the filter menu. If, for example, an activated carbon filter is used instead of the silencer, this must be selected in the filter menu under "Type".

The *VOC* indication shows the concentration of volatile organic compounds in the air.

VOC are substances, that evaporate already at low temperatures – hence "volatilize" into the gaseous state – and thus pollute the air. Which is why they are referred to as volatile organic compounds. Manifold VOC sources can be found indoors, e.g. flooring and floor coating, paints and varnishes, sealings and adhesives, furniture and carpets. People can be taken chronically ill by VOC-polluted indoor air.

- 2. Select the  symbol (*Auto*) to switch off the automatic mode.

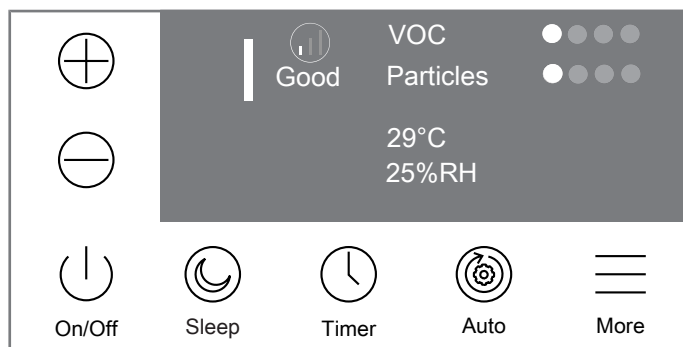
The higher the pollution by gaseous pollutants, the more dots are highlighted in white which appear next to the VOC display.

Load display (white dots)	Gaseous pollutants VOC
●	very good air quality
●●	good air quality
●●●	medium air quality
●●●●	poor air quality

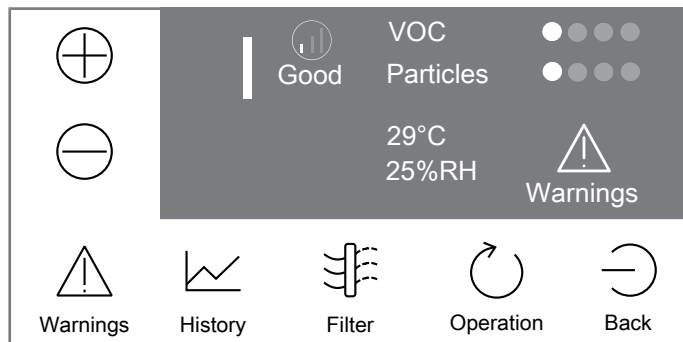
You can view the air quality history displayed in a 24-hour rhythm or in a 14-day rhythm.

To do so, please proceed as follows:

1. Select the ☰ symbol (*More*) in the main view.



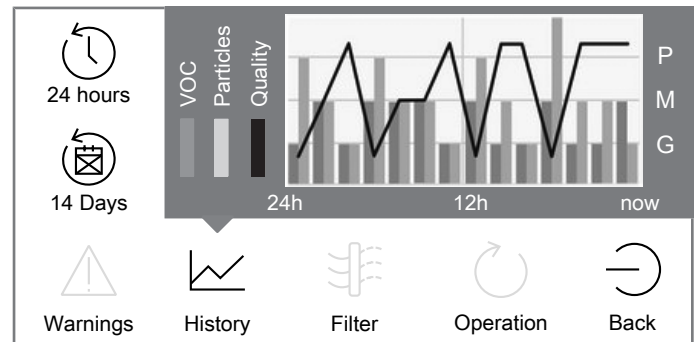
⇒ The display changes to the following submenu.



2. Select the symbol (*History*).

⇒ The air quality history is indicated on the display according to the VOC load and particle load.

3. Press the symbol (*24-hour rhythm*) or the symbol (*14-day rhythm*) to display the values by means of a scale (G = Good, M = Medium, P = Poor).



Note

The history indicates averaged measured values. For the 24h display, the average value of all values is determined on the basis of one hour. For the 14 days display, the average value of all values is determined on the basis of one day. As a result, short-term deviations are not necessarily displayed in the history.

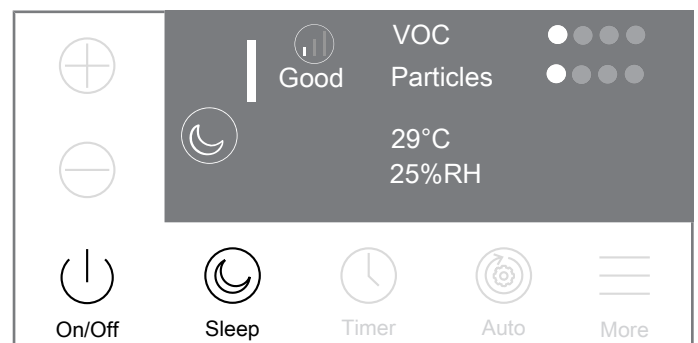
4. Select the symbol (*Back*) to return to the previous submenu.

Night mode

In *night mode*, the device generates an air current that is adapted to your sleep habits. The display illumination is dimmed and the air flow rate is set to the lowest blower level.

Proceed as follows to switch on night mode:

1. Select the symbol (*Sleep*) to switch on the night mode.
 - ⇒ The night mode symbol is indicated on the display again.
 - ⇒ The night mode remains active for 8 hours after which the device returns to the previously selected settings.



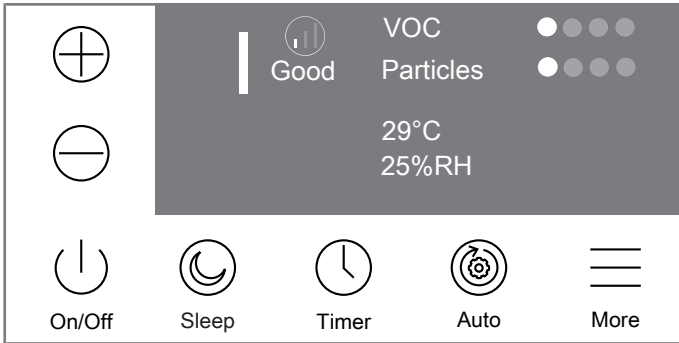
2. Select the symbol (*Sleep*) again to switch off the night mode.

Manual operation

You can manually select all 5 fan speeds and the turbo mode.

Please proceed as follows to adjust the fan speed:

- ✓ The device is switched on.
- 1. Set the desired fan stage by selecting the ⊕ symbol (*Increase value*) or the ⊖ symbol (*Decrease value*).
 - ⇒ The fan stage is indicated on the display.



Setting the timer

You can activate the automatic switch-on and switch-off function of the air purification function after a preset number of hours by means of the timer.

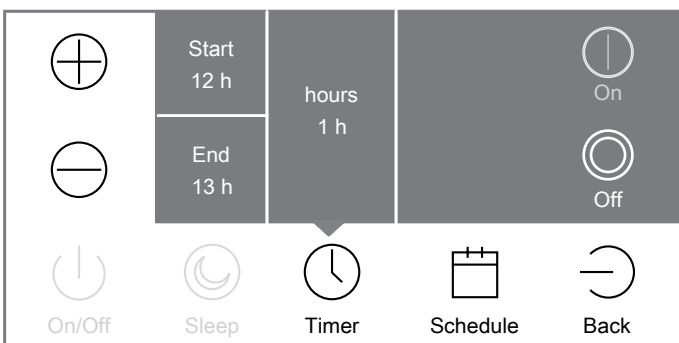
The number of hours can be set to 1 to 24 h in increments of 1 h.

A schedule can also be used to set the respective switch-on and switch-off time for each individual day of the week, separately or for all days together.

Automatic switch-on/switch-off

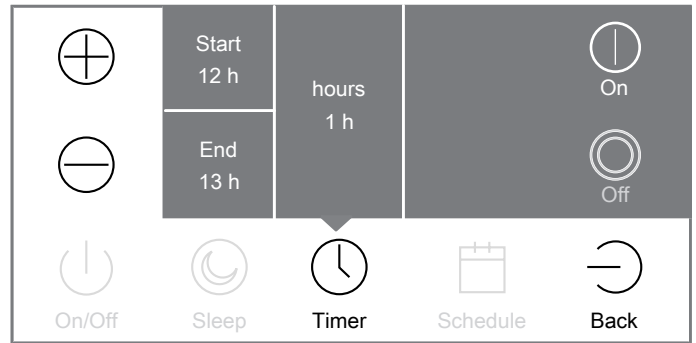
The switch-on time can only be indicated in full hours.

- ✓ The device is switched on.
- 1. Select the ⌚ symbol (*Timer*) in the main view.
 - ⇒ The screen for entering the hours appears.



- 2. Tap *Start* to select the start time.
- 3. Select the ⊕ symbol (*Increase value*) or the ⊖ symbol (*Decrease value*) to adjust the start time.

- 4. Select *End* to set the time to stop.
- 5. Select the ⌚ symbol (*On*) to switch on the timer.

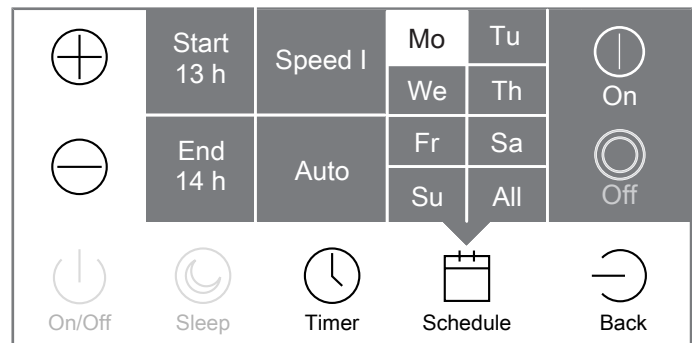


- 6. Select the ↩ symbol (*Back*) to confirm your entry.
 - ⇒ The time until automatic switch-on is indicated in grey in the main view.
 - ⇒ The time until automatic switch-off is indicated in white in the main view.

Setting a schedule

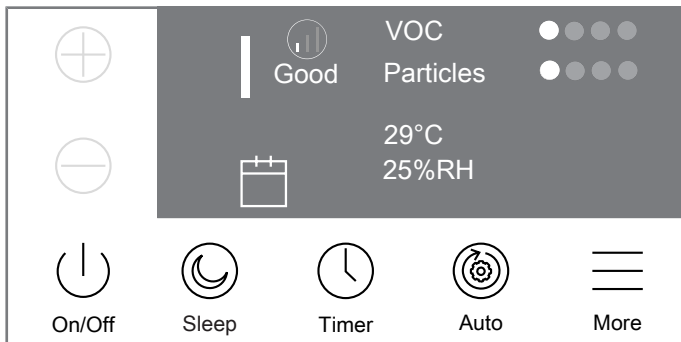
Please proceed as follows to set a schedule:

- 1. Select the ⌚ symbol (*Timer*) in the main view.
 - ⇒ The screen for entering the hours appears.
 - ⇒ The 📅 symbol (*Schedule*) appears if automatic switch-on/off is deactivated.
- 2. Select the 📅 symbol (*Schedule*).
 - ⇒ The weekly schedule view appears.



- 3. Select *Mo, Tu, We, Th, Fr, Sa, Su* or *All* to set the start time and end time settings.
 - ⇒ If you click on *All*, you can set the start time and end time for all days.
 - ⇒ If you manually select several days, you can set the start time and end time for these days at the same time.
- 4. Set the fan speed for the selection by tapping the *Speed* button and by using the ⊕ or ⊖ symbols to set the desired stage.

5. Select the (On) to switch on the schedule.
6. Select the (Back) to confirm your entry.
 - ⇒ The (Schedule) icon is indicated in the main view.

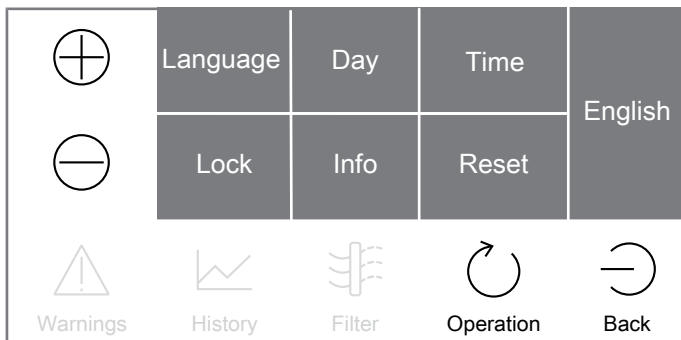


Switching the locking function on or off

The locking function prevents the buttons on the control panel from being used. The preset PIN of the device is 1234.

Proceed as follows to set your own PIN:

1. Select the (More) in the main view.
 - ⇒ The display changes to a submenu.
2. Select the (Operation).
 - ⇒ The display changes to the following submenu.



3. Select *Lock*.
 - ⇒ A screen for setting the PIN appears.
4. Enter a four-digit PIN.
5. Select the (Back) to confirm your entry.



Info

If you forgot your PIN, you can always use the master PIN **2203**.

Please proceed as follows to lock the control panel:

1. Press the (On/off) for several seconds until the control panel is locked. If you release the symbol too early, the device switches off.
 - ⇒ The locking function is activated.
 - ⇒ The buttons on the control panel cannot be used.
 - ⇒ The display turns grey and the (Unlock) appears on the bottom left. The device remains in lock mode after it is switched on or switched off. It is therefore not possible to bypass the lock mode this way.

Please proceed as follows to release the control panel again:

1. Select the (Unlock) until the PIN entry field appears.
2. Then enter your device PIN to unlock the screen.
 - ⇒ The device automatically switches back to the previous operating mode.

Memory function

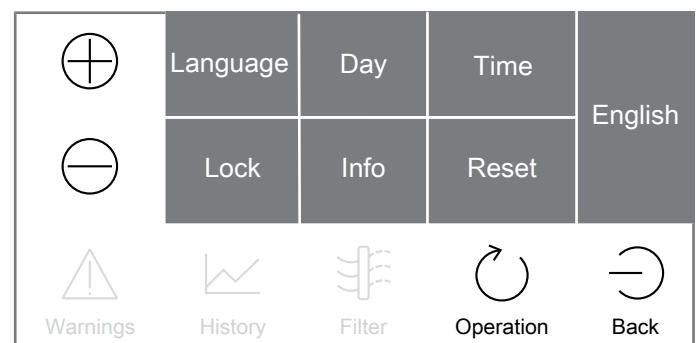
If you switch the device back on again from standby mode, the selected settings selected for day, time and PIN are saved.

In the event of power failures, the device memorizes the settings such as day, time and schedule. After a power failure the device will not restart automatically.

Resetting the device to factory settings

Proceed as follows to reset the device to factory settings:

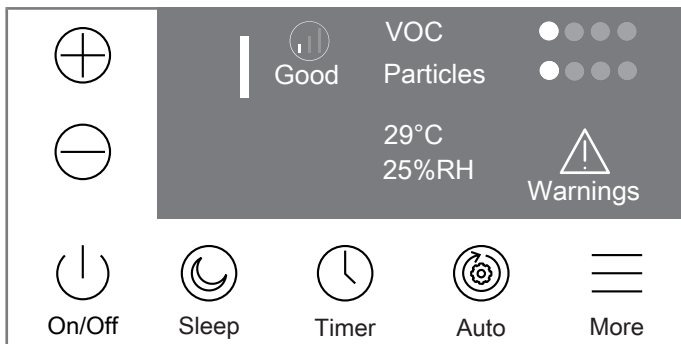
1. Select the (More) in the main view.
 - ⇒ The display changes to a submenu.
2. Select the (Operation).
 - ⇒ Another submenu appears.



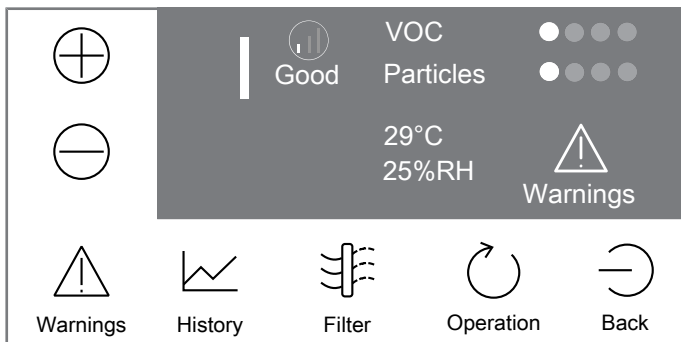
3. Select *Reset* to reset the device to factory settings.
4. Enter the master PIN 2203.
5. Select the (Back) to confirm your entry.

Warning message

If the \triangle symbol (*Warnings*) appears on the display, a warning message is pending.



1. Select the \equiv symbol (*More*) in the main view.
 ⇒ The display changes to the following submenu.



2. Select the \triangle symbol (*Warnings*) on the bottom left of the display to view the warning message and proceed as described under Errors and faults.

Shutdown



Warning of electrical voltage

Do not touch the mains plug with wet or damp hands.

- Switch the device off by actuating the ⏻ symbol (*On/off*) for 2 seconds.
- Set the mains switch to position **0** (5).
- Hold onto the mains plug while pulling the power cable out of the mains socket.
- Clean the device according to the Maintenance chapter.
- Store the device according to the Transport and storage chapter.

Available accessories



Warning

Only use accessories and additional equipment specified in the operating manual. Using insertion tools or accessories other than those specified in the operating manual may cause a risk of injury.

Designation	Article number
Activated carbon filter	7.710.000.012
Filter fleece	7.700.000.005
Prefilter F7	7.710.000.011
HEPA H14	7.710.000.013
HEPA H13	7.710.000.015
Silencer	7.710.000.017

Errors and faults

The device has been checked for proper functioning several times during production. If malfunctions occur nonetheless, check the device according to the following list.

The device does not start:

- Check the power connection.
- Check the power cable and mains plug for damage.
- Check the on-site fusing.
- Check whether the mains switch (5) is set to position **I**.
- If the device is not starting, have the electricians checked by a specialist company or by Trotec.

The device is loud or vibrates:

- Check whether the device is set up in a stable and upright position.
- Check the device cover for proper fit.
- Check whether a prefilter is inserted. If so, check if correctly installed.

The device gets very warm, is loud or is losing performance:

- Check the air inlets and air filters for dirt. Remove external dirt.
- The prefilter is soiled. Clean the filter fleece and replace the prefilter if necessary (see chapter Operation and chapter Maintenance).
- The air outlet is obstructed. Make sure that the air outlet is not blocked. Remove any loose objects from the air outlet.
- The packaging material of the filters was not removed during commissioning or after replacement. Remove the filters from the packaging or plastic cover.

The device works with no capacity or the air quality does not improve:

- Check whether any windows and/or doors of the room are open. If so, close them.
- The HEPA filter is not installed. Install the HEPA filter.
- Check the minimum distance to walls or other objects. Position the device a little more in the room's centre if required.

The measured values for VOC and particles are not displayed:

- The sensor technology requires a while until values can be determined.
- If the measured values are not displayed for more than 5 minutes when the device is switched on, please contact the customer service.

The device displays the warning "Check prefilter":

- Clean the filter fleece as described in the Maintenance chapter.
- If the warning does not disappear, set the AirgoClean One to fan stage zero and wait for 3 minutes. During this time, the filter monitoring sensors are calibrated.
- If the warning still does not disappear, replace the F7 filter as described in the Maintenance chapter. Then reset the lifetime of the prefilter as described in the chapter Operation in the Filter menu section.

The settings are not accepted after they have been entered in the display:

- All inputs must be confirmed by actuating the \ominus symbol (*Back*).
- If the display is not actuated for a certain time, it automatically switches to the main screen. Settings that have been made but not confirmed with \ominus (*Back*) are **not** saved.

The device does not respond to inputs made on the display or by means of the remote control:

- Switch the device off by setting the mains switch (5) to position **0**.
- Wait for 5 seconds and switch the device on again by setting the mains switch (5) to position **I**.

The device still does not operate correctly after these checks:

Please contact the customer service. If necessary, bring the device to an authorised specialist electrical company or to Trotec for repair.

Maintenance

Maintenance intervals

Maintenance and care interval	before every start-up	as needed	at least every 2 weeks	at least every 4 weeks	at least annually	at least every 2 years
Check air inlets and outlets for dirt and foreign objects and clean if necessary	X			X		
Clean the exterior		X			X	
Visually check the inside of the device for dirt		X			X	
Replace the HEPA filter						X
Replace prefilter F7					X	
Check prefilter fleece and clean or replace if necessary				X		
Check for damage	X					
Test run					X	

Maintenance and care log

Device type:

Device number:

Maintenance and care interval	1	2	3	4	5	6	7	8	9	10	11	12	13	14	15	16
Check air inlets and outlets for dirt and foreign objects and clean if necessary																
Clean the exterior																
Visually check the inside of the device for dirt																
Replace the HEPA filter																
Replace prefilter F7																
Check prefilter fleece and clean or replace if necessary																
Check for damage																
Test run																

1. Date:	2. Date:	3. Date:	4. Date:
Signature:	Signature:	Signature:	Signature:
5. Date:	6. Date:	7. Date:	8. Date:
Signature:	Signature:	Signature:	Signature:
9. Date:	10. Date:	11. Date:	12. Date:
Signature:	Signature:	Signature:	Signature:
13. Date:	14. Date:	15. Date:	16. Date:
Signature:	Signature:	Signature:	Signature:

Activities required before starting maintenance



Warning of electrical voltage

Do not touch the mains plug with wet or damp hands.

- Switch the device off.
- Hold onto the mains plug while pulling the power cable out of the mains socket.



Warning of electrical voltage

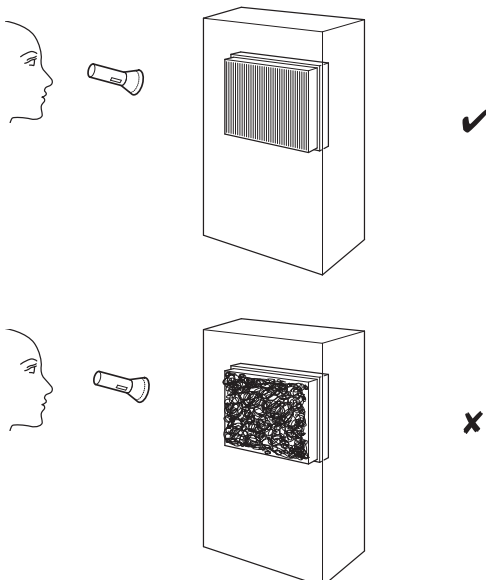
Tasks which require the device to be opened must only be carried out by authorised specialist companies or by Trotec.

Cleaning the housing

Clean the housing with a soft, damp and lint-free cloth. Make sure that no moisture enters the housing. Protect electrical components from moisture. Do not use any aggressive cleaning agents such as cleaning sprays, solvents, alcohol-based or abrasive cleaners to dampen the cloth.

Visual inspection of the inside of the device for dirt

1. Remove the air filter.
2. Use a torch to illuminate the openings of the device.
3. Check the inside of the device for dirt.
4. If you see a thick layer of dust, clean the inside of the device with a vacuum cleaner.
5. Put the air filter back in.



Replacing the HEPA filter

Note

The HEPA filter cannot be cleaned and must be replaced if necessary.

Note

The lifetime of the HEPA filter is a maximum of 2 years. Please note that the lifetime also keeps running when the device is switched off. The lifetime of the HEPA filter depends on the ambient conditions and the application period of the device.

Note

The HEPA filter, the silencer and, if necessary, the activated carbon filter can be positioned in any order in the device.

Note

Remove any packing material before inserting the exchange filters.



Info

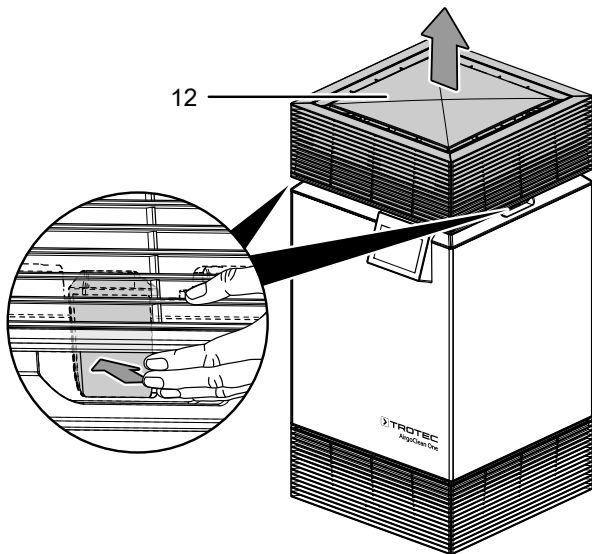
The condition of the filters is monitored for all three filter compartments. The condition monitoring does not simply work hypothetically, based on time for instance, but it records the actual filter status based on the fan stage, the particle load in the room air, the humidity and the VOC content (with inserted activated carbon filter). The intelligent filter lifetime monitor informs you precisely when a filter change is necessary.

- The HEPA filter has to be replaced as soon as it is dirty. This is brought to light e.g. by a reduced capacity (see chapter Errors and faults). To do so, check the lifetime of the filter as described in the chapter Operation.
- Make sure that the HEPA filter, the silencer and the prefilter are installed before switching the device on.
- Without the HEPA filter and the prefilter, the device cannot fulfil its air cleaner function, and the inside of the device will be soiled.
- An activated carbon filter can also be used as an alternative to the silencer.

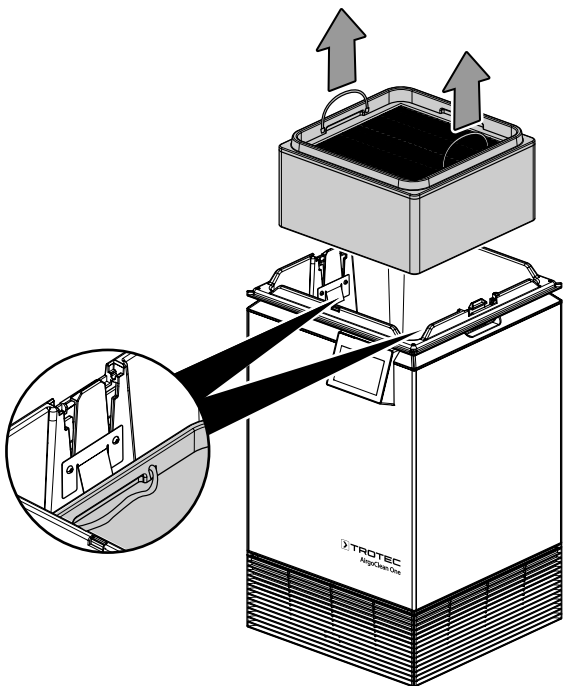
If required, visually inspect the HEPA filter, the silencer and the prefilter for dirt.

Proceed as follows to replace the HEPA filter:

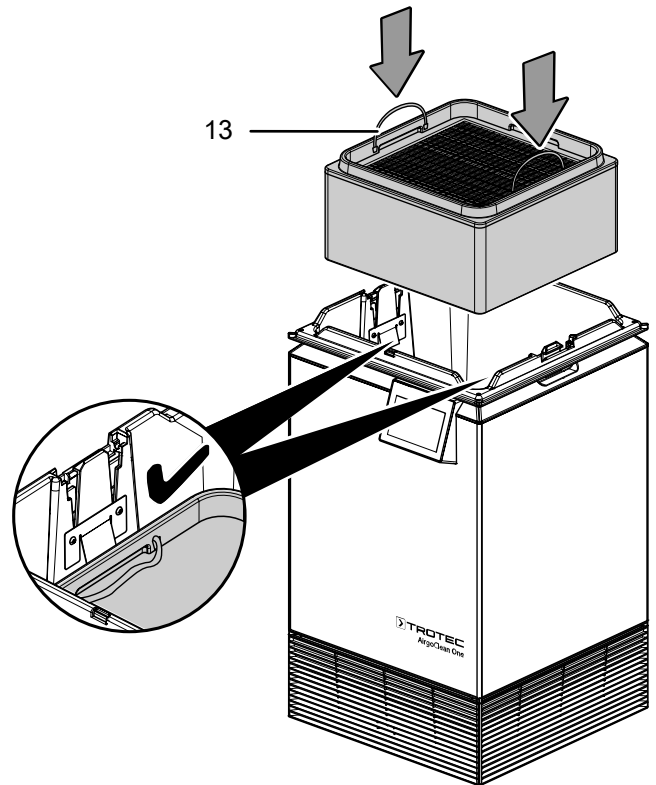
1. Press the buttons of the handle strip (2).
⇒ The top section comes off.
2. Remove the top section (12).



3. Depending on the order, remove the silencer first, then remove the HEPA filter from the device.
⇒ The standard configuration is recommended for the order (see chapter Information about the device).
⇒ Please note that the lower component is fixed to the side with clips.
⇒ Push in the clips for removal, then remove the lower component. The loops on the filter or silencer help you removing.



4. Dispose of the HEPA filter according to the national regulations.
5. Take the new HEPA filter out of the plastic cover.
6. Insert the new HEPA filter into the device. Observe the direction of the arrow and make sure that the loops (13) are not blocking the sealing surface.
7. If necessary, also replace the silencer if it is damaged or heavily contaminated.



8. Place the upper section (12) on the device and press it down until it clicks into place. Check the connection. It should no longer be possible to take off the top section.
9. Then proceed as described in the *Filter menu* section in the chapter Operation.

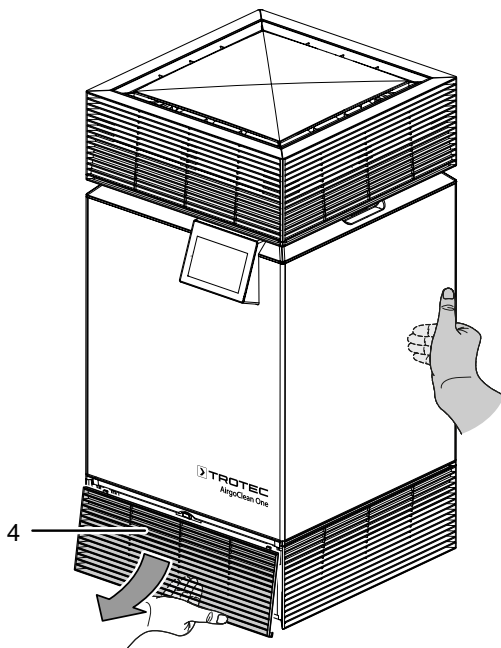
Replacing the prefilter

Note

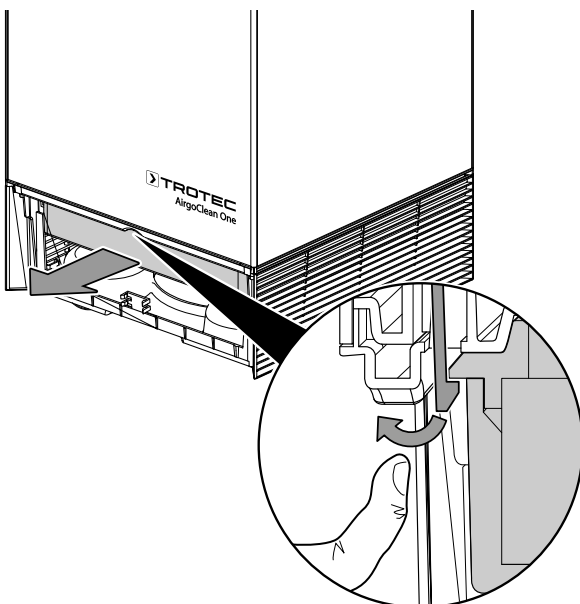
The lifetime of the prefilter is a maximum of 1 year. Please note that the lifetime also keeps running when the device is switched off. The lifetime of the prefilter depends on the ambient conditions and the application period of the device.

Please proceed as follows to replace the prefilter:

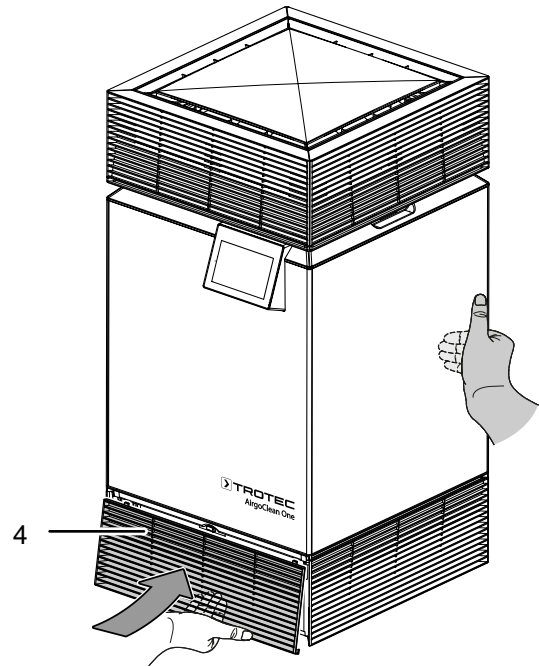
1. Hold the device at its rear side. Reach underneath the air inlet with cover (4) and remove the cover from below.



2. Release the prefilter (9) by pulling the hook backwards. The prefilter now drops down a little.



3. The filter fleece is attached to the prefilter (9) with a Velcro fastener. Pull the filter fleece off from the prefilter and clean the prefilter and filter fleece (9) with a lint-free cloth or carefully tap out the fleece.
4. Stick the fleece back onto the prefilter and push the prefilter and filter fleece (9) back into the device.
5. Push the filter upwards until the holder clicks into place.
6. Hold the device at its rear side. Put the air inlet with cover (4) back on the device.



7. Once you have replaced the prefilter, proceed as described in the *Filter menu* section in the chapter Operation.

Disposal



The icon with the crossed-out waste bin on waste electrical or electronic equipment stipulates that this equipment must not be disposed of with the household waste at the end of its life. You will find collection points for free return of waste electrical and electronic equipment in your vicinity. The addresses can be obtained from your municipality or local administration. You can also find out about other return options that apply for many EU countries on the website <https://hub.trotec.com/?id=45090>. Otherwise, please contact an official recycling centre for electronic and electrical equipment authorised for your country.

The separate collection of waste electrical and electronic equipment aims to enable the re-use, recycling and other forms of recovery of waste equipment as well as to prevent negative effects for the environment and human health caused by the disposal of hazardous substances potentially contained in the equipment.



In the European Union, batteries and accumulators must not be treated as domestic waste, but must be disposed of professionally in accordance with Directive 2006/66/EC of the European Parliament and of the Council of 6 September 2006 on batteries and accumulators. Please dispose of batteries and accumulators according to the relevant legal requirements.

Technical annex

Technical data

Parameter	Value		
Model	AirgoClean® One		
	H13 filter	H14 filter	Power consumption
Air flow rate with HEPA carbon filter			
Fan stage 1	45 m ³ /h	35 m ³ /h	6 W
Fan stage 2	150 m ³ /h	115 m ³ /h	12 W
Fan stage 3	285 m ³ /h	230 m ³ /h	28 W
Fan stage 4	420 m ³ /h	355 m ³ /h	60 W
Fan stage 5	550 m ³ /h	475 m ³ /h	106 W
Fan stage 6 = turbo	650 m ³ /h	600 m ³ /h	170 W
Ambient temperature	-10 °C to 60 °C		
Operating range	0 % to 90 % RH		
Mains connection (adapter)	230V~ 50-60 Hz		
Sound pressure level	32–57 dB(A)		
Nominal current	0.74 A		
Dimensions (length x width x height)	435 x 400 x 835 mm		
Minimum distance to walls and other objects	A: top 5 cm B: rear 5 cm C: side 5 cm D: front 5 cm		
Weight	16.9 kg		

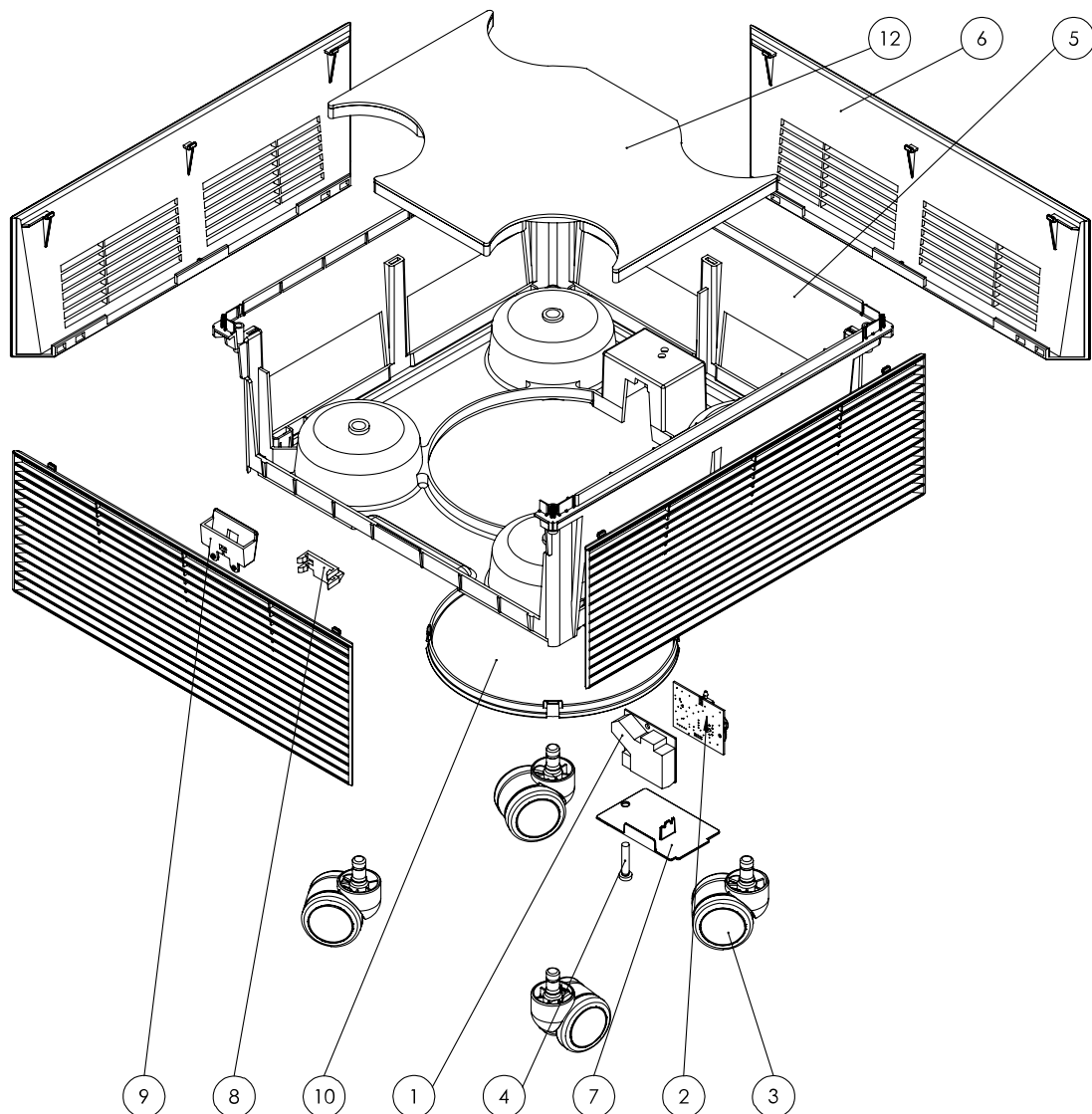
Spare parts drawing and list

Bottom



Info

The position numbers of the spare parts differ from those describing the positions of other parts mentioned in this operating manual.



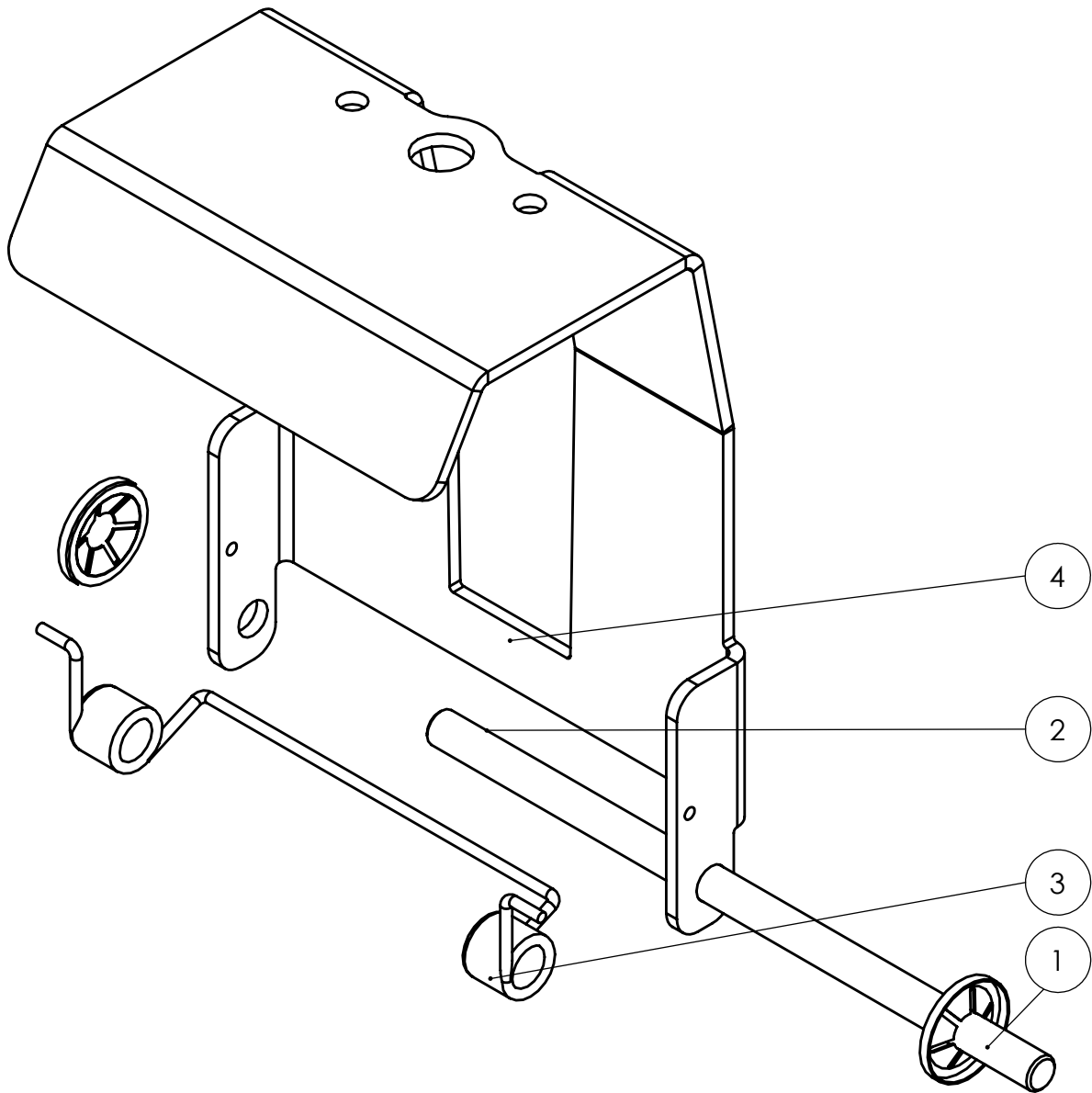
No.	Spare part	No.	Spare part
1	Board (particle sensor)	7	Cover for sensor housing
2	Board (sensor)	8	Lock for prefilter
3	Wheel	9	Positioning piece for prefilter
4	Screw	10	Bottom insert
5	Bottom frame	12	Base insulation
6	Ventilation panel		

Cover lock



Info

The position numbers of the spare parts differ from those describing the positions of other parts mentioned in this operating manual.



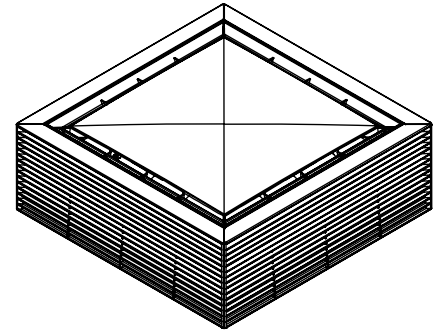
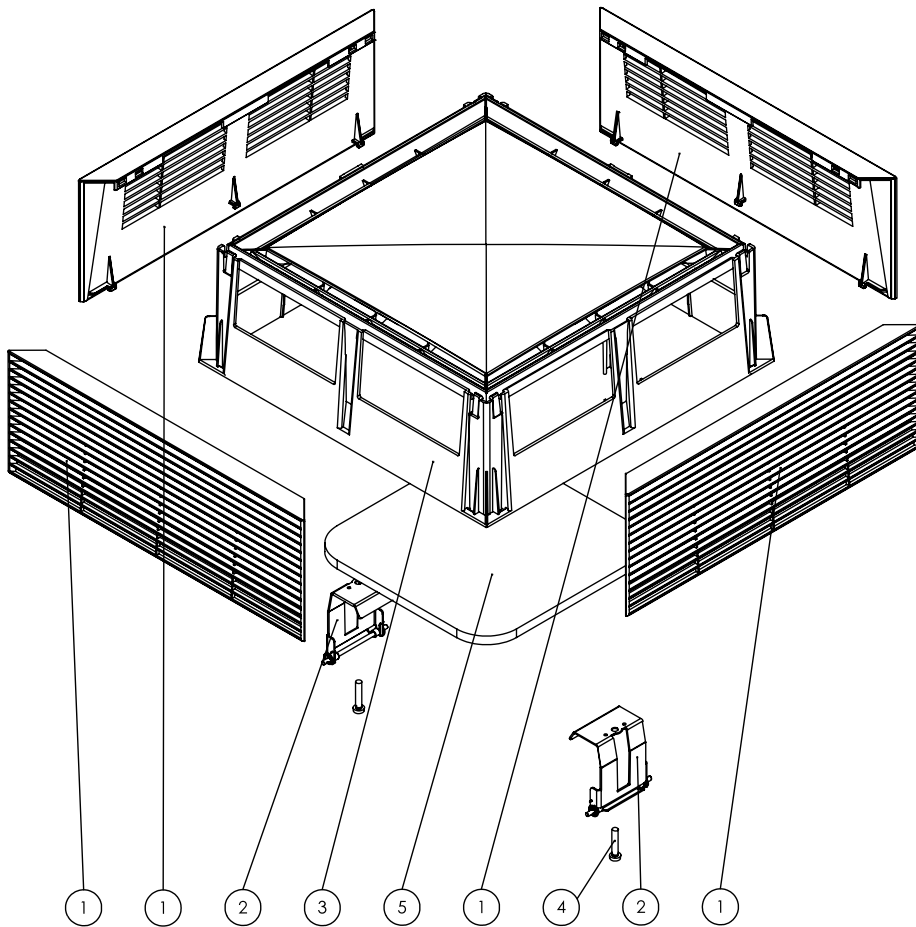
No.	Spare part	No.	Spare part
1	Washer	3	Torsion spring
2	Axle	4	Hold-down device

Cover



Info

The position numbers of the spare parts differ from those describing the positions of other parts mentioned in this operating manual.



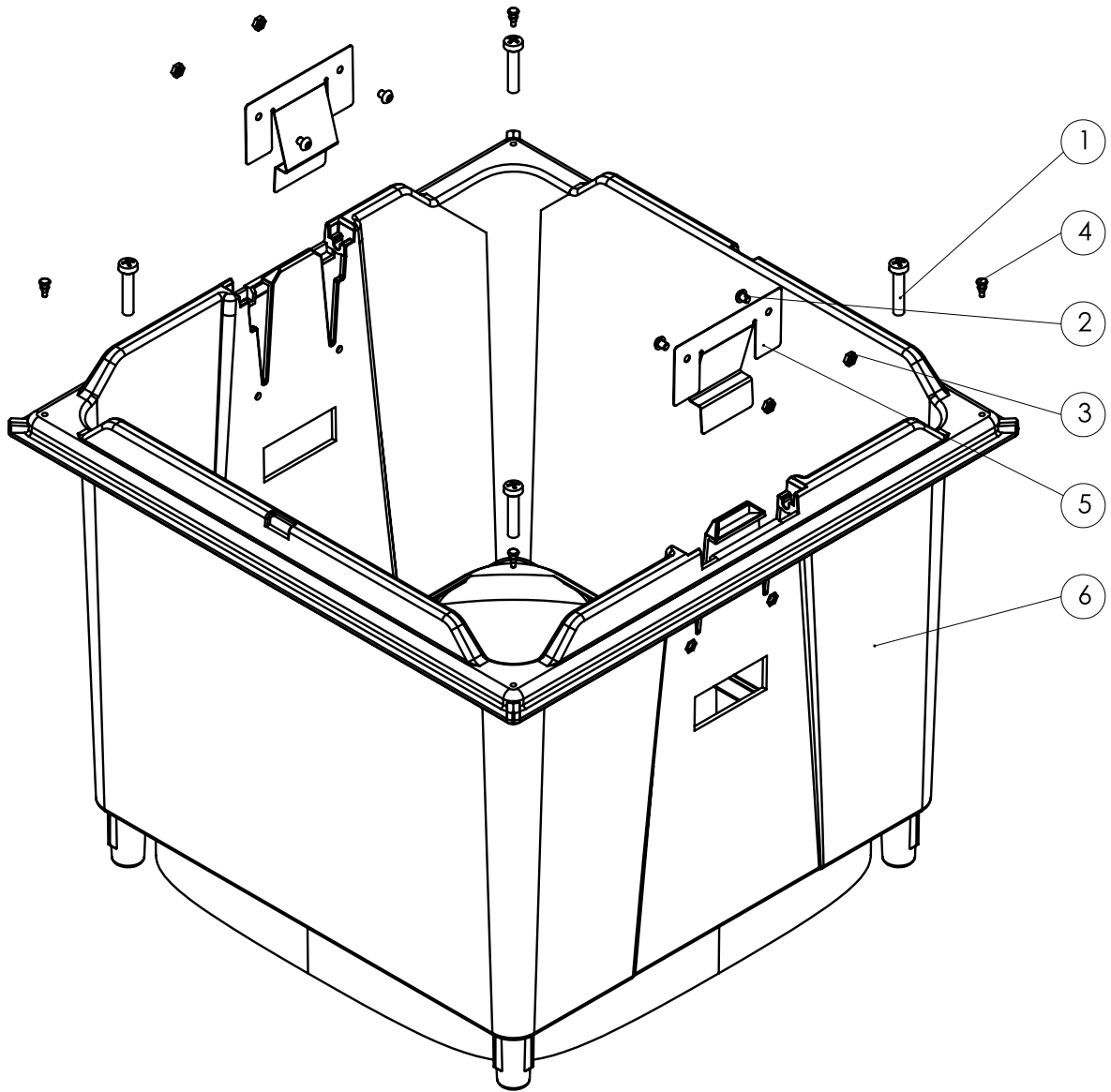
No.	Spare part	No.	Spare part
1	Ventilation panel	4	Screw
2	Cover lock	5	Cover insulation
3	Cover		

Filter housing



Info

The position numbers of the spare parts differ from those describing the positions of other parts mentioned in this operating manual.



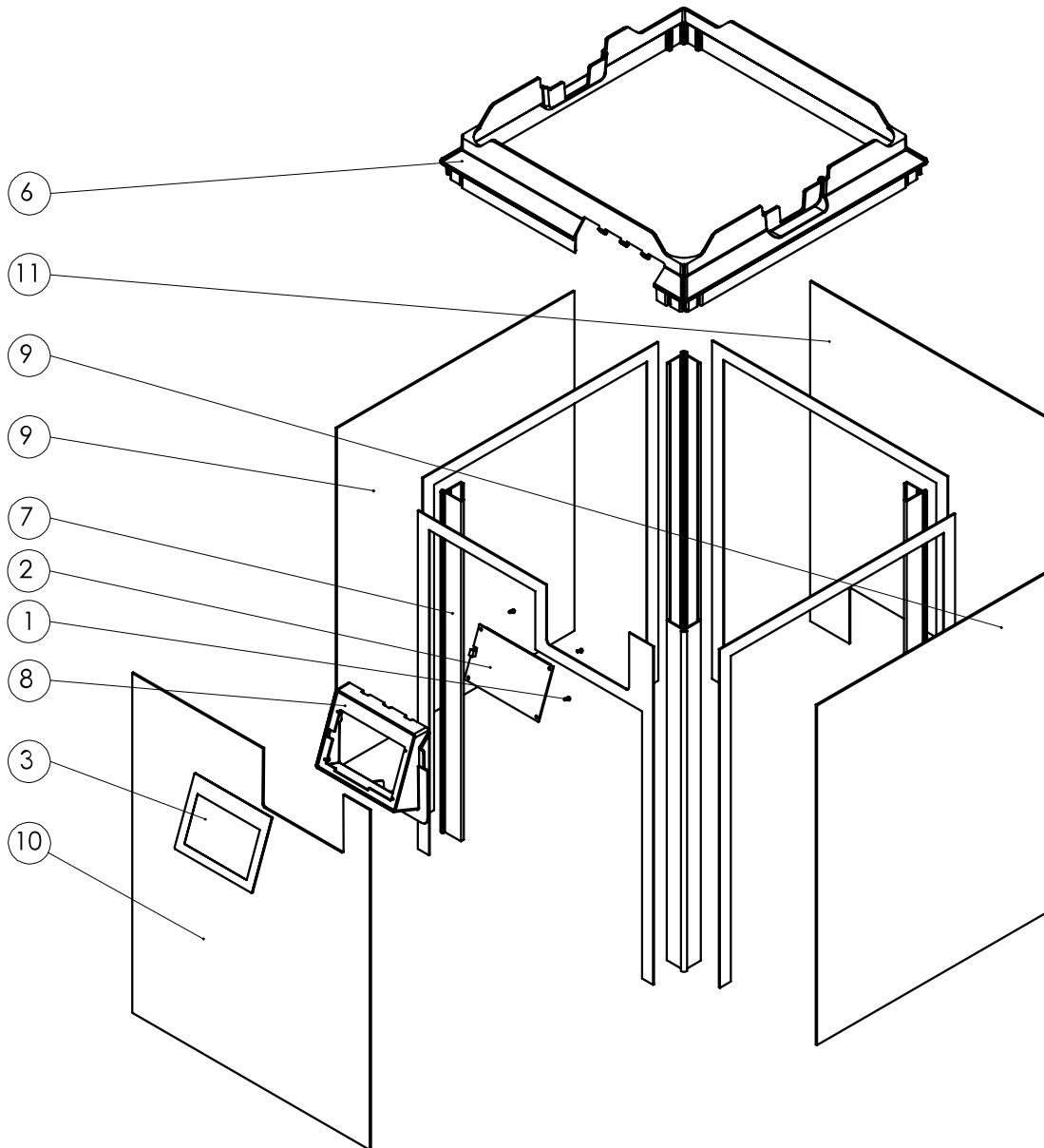
No.	Spare part	No.	Spare part
1	Screw	4	Rubber buffer
2	Screw	5	Metal clamp for filter
3	Nut	6	Filter case

Housing



Info

The position numbers of the spare parts differ from those describing the positions of other parts mentioned in this operating manual.



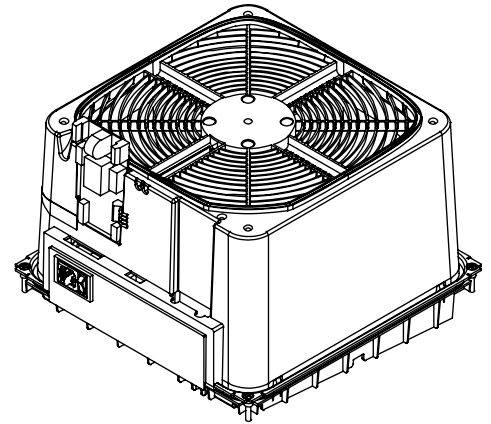
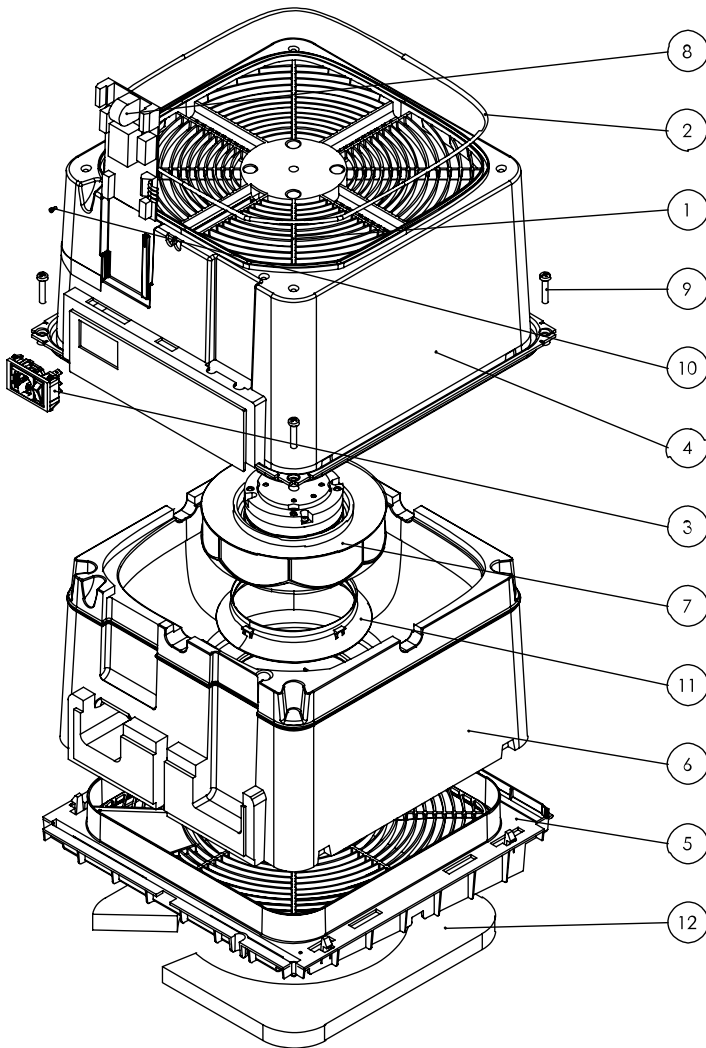
No.	Spare part	No.	Spare part
1	Screw	8	Display frame
2	Board (control)	9	Design panel A
3	Display	10	Design panel B
6	Design frame	11	Design panel C
7	Corner profile		

fan



Info

The position numbers of the spare parts differ from those describing the positions of other parts mentioned in this operating manual.



No.	Spare part	No.	Spare part
1	Screw	7	fan
2	Sealing cord	8	Board (distributor)
3	Mains connection	9	Screw
4	Fan casing	10	Screw
5	Fan housing cover	11	Inlet nozzle
6	Fan housing (expanded polypropylene)	12	Valve insulation

Trotec GmbH

Grebbener Str. 7
D-52525 Heinsberg

☎ +49 2452 962-400

☎ +49 2452 962-200

✉ info@trotec.com

www.trotec.com